

Optically-bonded 5-inch LCD
designed for harsh environments

High-brightness screen for full
sunlight viewability

Glass display surface offers
enhanced clarity and strength

Glove-friendly touch panel



FEATURE-RICH GLASS-FRONT DISPLAY BRINGS RUGGED PERFORMANCE FOR SMALL FOOTPRINTS

For rugged applications without a lot of space, The PV500 is available with a glass-front, with a the PowerView 500 is the perfect fit. With a 5-inch glove-friendly touchscreen and non-touchscreen LCD screen, operators can get the full view of their models to suit the needs of your application. equipment on a single all-weather display.

Perfect for all kinds of vehicles and equipment, the PV500 is easily viewed in full sunlight and contains an optically-bonded high-bright LCD inside its IP67-rated case to keep it safe in all weather environments.

Equipped with a high-speed processor, the PV500 delivers high-quality graphics and animations for a rich user experience.

BUILT FOR POWERVISION

PowerVision Configuration Studio® software lets programmers design stunning user interfaces, create intelligent applications with scripting and prototype quickly with a vast library of standard engine parameters.

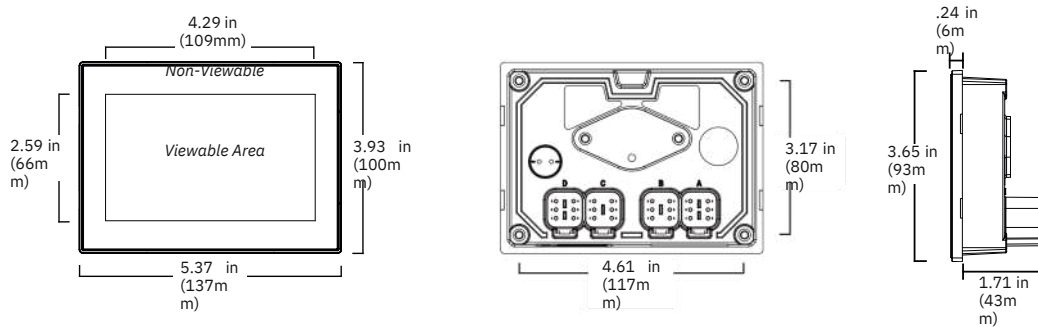


**IP
67**

POWerview® 500

1900001 04-2022

DIMENSIONS



PRODUCT SPECIFICATIONS

| COMPUTING | |
|-------------------------|--|
| PROCESSOR | Renesas® RZ/G1E Arm® Cortex®-A7 dual-core processor @ 1.0 GHz |
| OPERATING SYSTEM | QNX® Realtime Operating System |
| STORAGE | 8 GB flash memory |
| RAM | 256 MB DDR3-SDRAM |
| DISPLAY | |
| DISPLAY AREA | 5" (108mm [H] x 64.8mm [V]) |
| TYPE | LVDS TFT LCD with LED backlight, 24-bit |
| RESOLUTION | color 800 x 480 (WVGA) |
| CONTRAST RATIO | Typ. 1000:1 |
| BRIGHTNESS | 900 cd/m ² (900 nits) |
| SURFACE | Anti-glare |
| TOUCH PANEL | Projected capacitive (PCAP) with glove touch |
| HARDWARE | |
| REAL TIME CLOCK | Li-Ion battery backup (Typ. lifespan 10 years) non-rechargeable, non-replaceable |
| CONNECTORS | (4) 6-position DEUTSCH® style DT series |
| VIDEO INPUTS | (2) NTSC/PAL (single channel viewable) |

| COMMUNICATION | |
|------------------------------|--|
| CAN | (2) CAN 2.0B according to ISO-11898-2; J1939 and proprietary messaging |
| SERIAL | (1) RS-485 MODBUS Master/Slave Port |
| USB | USB 2.0 full speed host |
| ELECTRICAL | |
| OPERATING VOLTAGE | 6 – 36 VDC, reverse polarity protected Min current draw @ 24V: 0.202A Max current draw @ 24V: 0.297A Min current draw @ 12V: 0.318A Max current draw @ 12V: 0.438A |
| INPUTS | (1) Analog 0–5 VDC, 4–20 mA, resistive, 10-bit resolution (1) Discrete digital, active-high |
| OUTPUTS | (2) 500 mA switched low-side |
| ENVIRONMENTAL | |
| OPERATING TEMPERATURE | -30°C to +85°C (-22°F to +185°F) |
| STORAGE TEMPERATURE | -40°C to +85°C (-40°F to +185°F) |
| PROTECTION | IP66 and IP67, front and back, for outdoor use |
| VIBRATION | Random vibration, 8.17 Grms (5–2000Hz), 3 axes |
| SHOCK | ±50G in 3 axes |
| EMC/EMI | SAE J1113, ISO 13766, CE per 2014/30/EU |

⚠ WARNING: This product can expose you to chemicals including lead, which is known to the State of California to cause cancer. For more information, go to www.P65Warnings.ca.gov.

FOR MODEL & PART INFORMATION

FOR MANUAL & SUPPORT DOCUMENTS

FOR SUPPORT & WARRANTY

ENOVIATIONCONTROLS.COM/PV500

SUPPORT.ENOVIATIONCONTROLS.COM

ENOVIATIONCONTROLS.COM/SUPPORT

SALES CONTACT



CONTACT

✉ sales@rajkotmarinellc.ae
☎ +971 6 7487580
🌐 www.rajkotmarine.com

RAJKOT MARINE LLC

Jerf Industrial Area 1,
P.O Box 5861
Ajman, UAE

