

PowerView® PV350 Engine and Diagnostic Display

The PowerView 300 Series features robust, multifunctional displays for advanced monitoring of multiple electronic engines. The PV350 display in this series monitors multiple engine and machine parameters on an easy-to-read 3.8-inch (97 mm) QVGA monochrome LCD. The display is capable of handling sophisticated engine diagnostics as well as basic engine alarm/shutdown.

The PV350 display is customizable using the PowerVision Configuration Studio® software, an intuitive tool designed to make customization simple. Utilizing the software tool, users can tailor basic graphics, designate screen layout and define custom parameters.

The PV350 is equipped with five tactile push buttons to quickly access a convenient menu. In addition, a backlit, heated graphic display and two LEDs indicate active-fault alarm or shut-down status.



Specifications

Operating voltage: 6-36 VDC

Vibration and shock: 7.86 random vibrate (5-2000 Hz) and ±50 g shock in three axes

Reversed polarity: Withstand reversed battery terminal polarity

Operating temperature: -40° F to 185° F (-40° C to 85° C)

Storage temperature: -40° F to 185° F (-40° C to 85° C)

Communications: (2) CAN 2.0B; second CAN port is NMEA 2000 isolated; J1939 and NMEA 2000 protocol; proprietary messaging

EMC/EMI: 2004/108/EC and 2006/95/EC directives

EN61000-6-4:2001 (emission)

EN61000-6-2:2001 (immunity)

EN-50121-3-2 and EN 12895

Connectors: Deutsch DT series 6 pin; M12 for NMEA 2000 (micro-C)

Inputs: (1) resistive analog

Outputs: (1) 500 mA; switched low-side

SAE J1113/2, 4, 11, 12, 21, 24, 26 and 41 display

E-Mark: ECE-R10.05

Display: 3.8" (97 mm) QVGA (320 x 240 pixels); monochrome transfective LCD with white LED backlight and heater

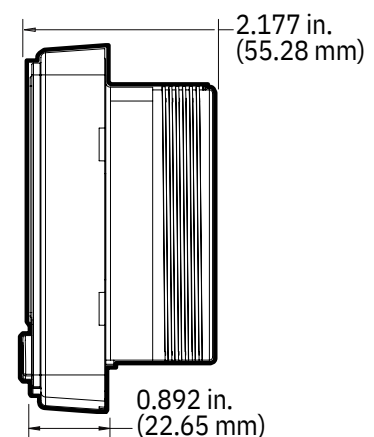
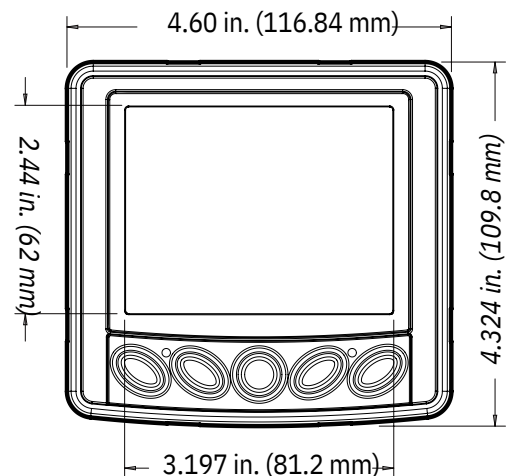
Viewing angle: ±50° horizontally; +45°/-60° vertically

Keys: 5 tactile push buttons

Alarms: Red and amber warning LEDs; capable of set points-triggered output for external piezo buzzer or shutdown relay

Real-time clock: With Li-ion rechargeable battery backup

Dimensions



Pinout



How To Order

Part Number	Description	Notes
78700616	PV350-R2, Murphy Standard	Display
78090100	Programming Kit, PV380-350 with dongle	Accessories
78051077	Seal, PV380-350 gasket	Service
78000752	PowerVision Configuration Studio® CD and license	Software

SALES CONTACT



CONTACT

✉ sales@rajkotmarinellc.ae
☎ +971 6 7487580
🌐 www.rajkotmarine.com

RAJKOT MARINE LLC

Jerf Industrial Area 1,
P.O Box 5861
Ajman, UAE

